

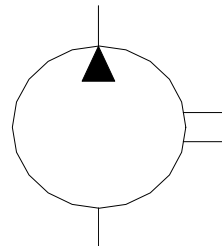


# VANE PUMP

## HPV2 SERIES – HIGH PRESSURE HIGH SPEED SINGLE PUMPS

These HPV pumps are designed for high-pressure applications. Suitable for mobile applications like Drill rigs, Railways & Construction Equipments.

### Graphical Symbol



B

### Ratings

Model Number	Geometric Displacement cm <sup>3</sup> /rev.	Max. Opt. Pressure Kgf/cm <sup>2</sup>	Output Flow and Input Power	Shaft Speed Range RPM		Mass (Approx.) kg.	
				Max.	Min.	Flange Mounting	Foot Mounting
HPV2-37	37.1	280	Ref. Page. 3 & 4	2300	800	15.5	19.8
HPV2-46	46.0						
HPV2-58	58.3						

### Model Number Designation

HPV2	-37	-L	-R	A	A	-K1	-10
Series Number	Nominal Displacement	Type of Mounting	Direction of Rotation	Discharge Position	Suction Port Position	Shaft	Design Number
				As viewed from shaft end			
HPV2	37 46 58	L: Foot Mtg. F: Flange Mtg	R: Clockwise (Normal) L: Anti-clockwise			K1-Keyed (SAE-B) K2-Keyed (no SAE)  S1- Splined (SAE-B) S2- Splined (no SAE)	10

**Note:**

1. Design numbers subject to change, but installation dimensions remain as shown.
2. For Nominal Displacement in GPM Refer Table : 1
3. For Cartridge Kit, Refer Table : 2.
4. For Seal Kit, Refer Table : 3
5. For Flange kit, (Optional) Refer Table: 4

**Table – 1.**

Sl.No.	cm <sup>3</sup> /rev.	Flow in GPM (US) @ 1000 rpm	Nominal Displacement GPM
1	37.1	9.8	12
2	46.0	12.15	14
3	58.3	15.4	17

**Table – 2 : Cartridge Kit Model Number Designation**

CHPV2	-37	-R	-10
Pump Series	Nominal Displacement	Shaft Rotation	Design Number
CHPV2	37 46 58	R: Clockwise (Normal) L: Anti-Clockwise	10

## HPV Series Single Vane Pumps

**Table - 3 : List of Seals.**

Sl.No	Name of Part	Part Number	Qty
1	'O' Ring	PKH4-0207	1
2	'O' Ring	PKH4-0206	1
3	'O' Ring	PKH4-0205	1
4	Back-up Ring	PKH4-0184	1
5	Oil seal	25.4-38.1-6.35	1

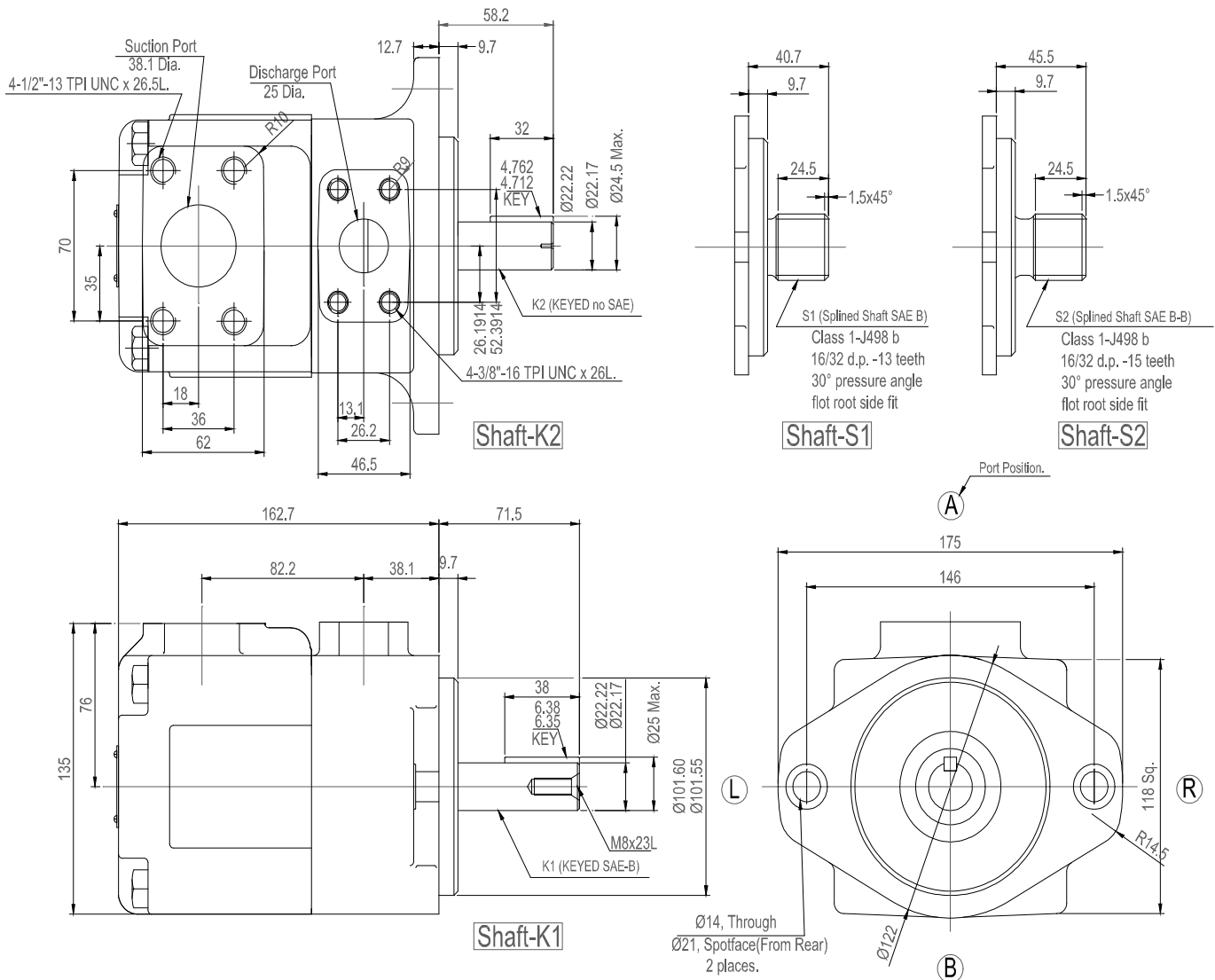
**Table - 4 : Flange Kit Details.**

HPV2	-F	-S	-T	-A	-10
Pump Series	Flange	Port	Flange Type	Piping Size	Design Number
HPV2	F	S: Suction Port D: Delivery Port	T: Threaded Flange (SG Iron) W: Welding Flange (MS)	A: 1 1/2" B: 1"	10

Note: When ordering the seals, the seal kit number KS-HPV2-10 to be specified.

### □ Mounting Details- HPV2-\*. \* . \* \* \*-10 Flange Mounting

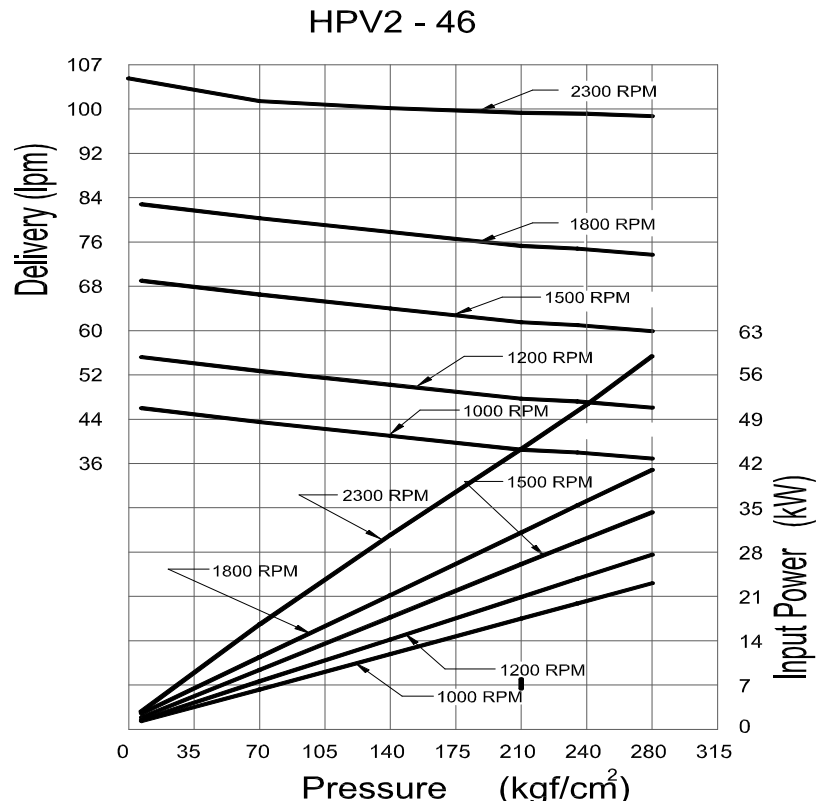
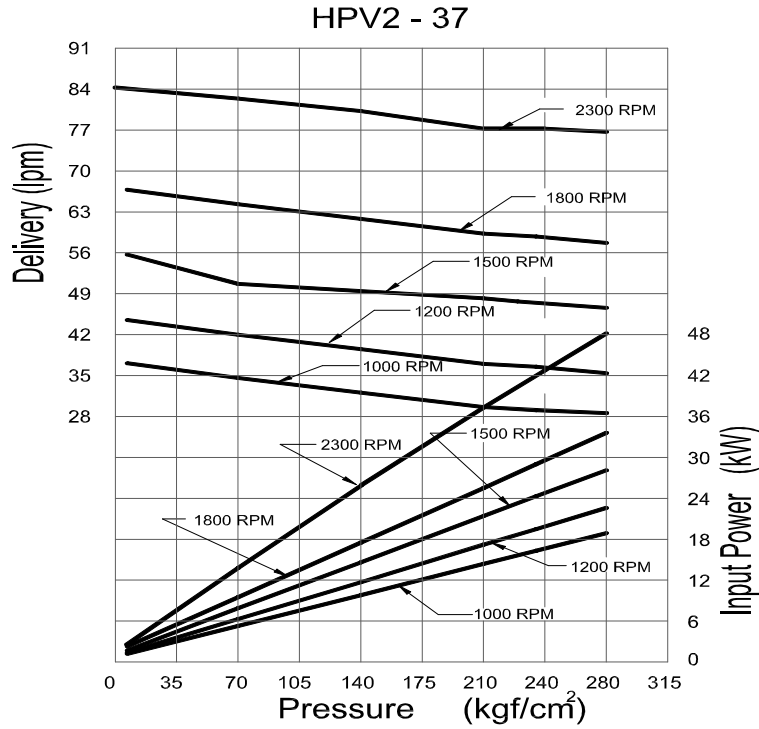
DIMENSIONS IN MILLIMETRES



## HPV Series Single Vane Pumps

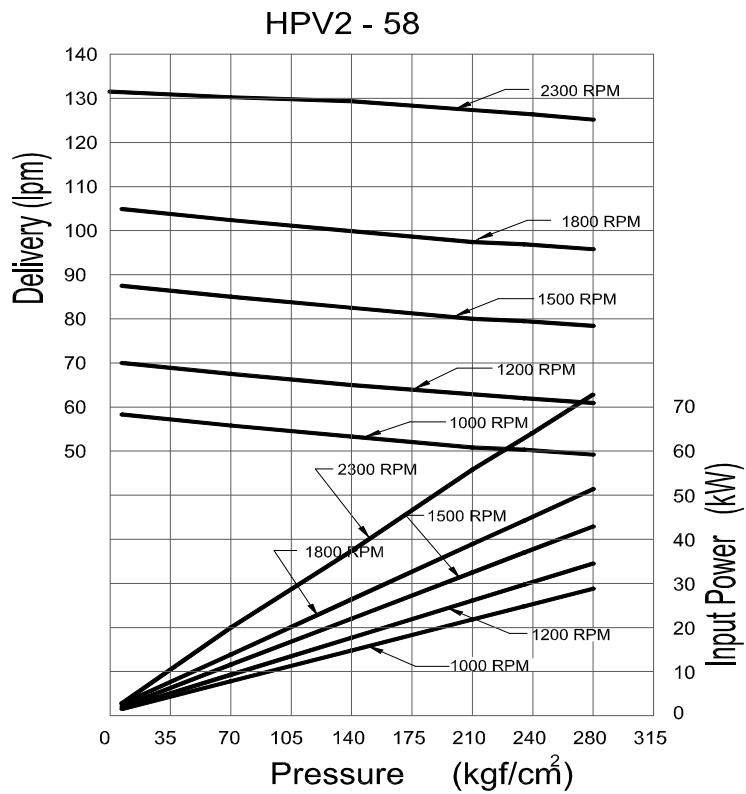
## Typical Pump Characteristics at viscosity 20 cSt (100 SUS) [ISO VG32, 50°C]

B



HPV Series Single Vane Pumps

Typical Pump Characteristics at viscosity 20 cSt (100 SUS) [ISO VG32, 50°C]



**B**